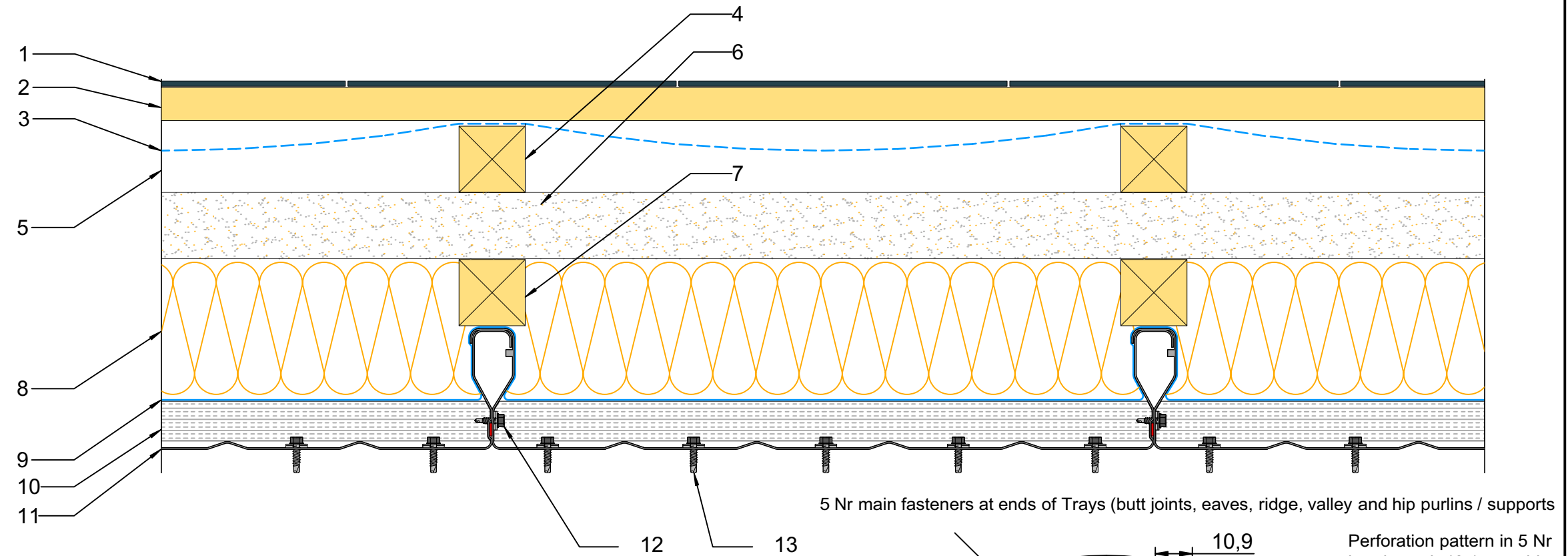
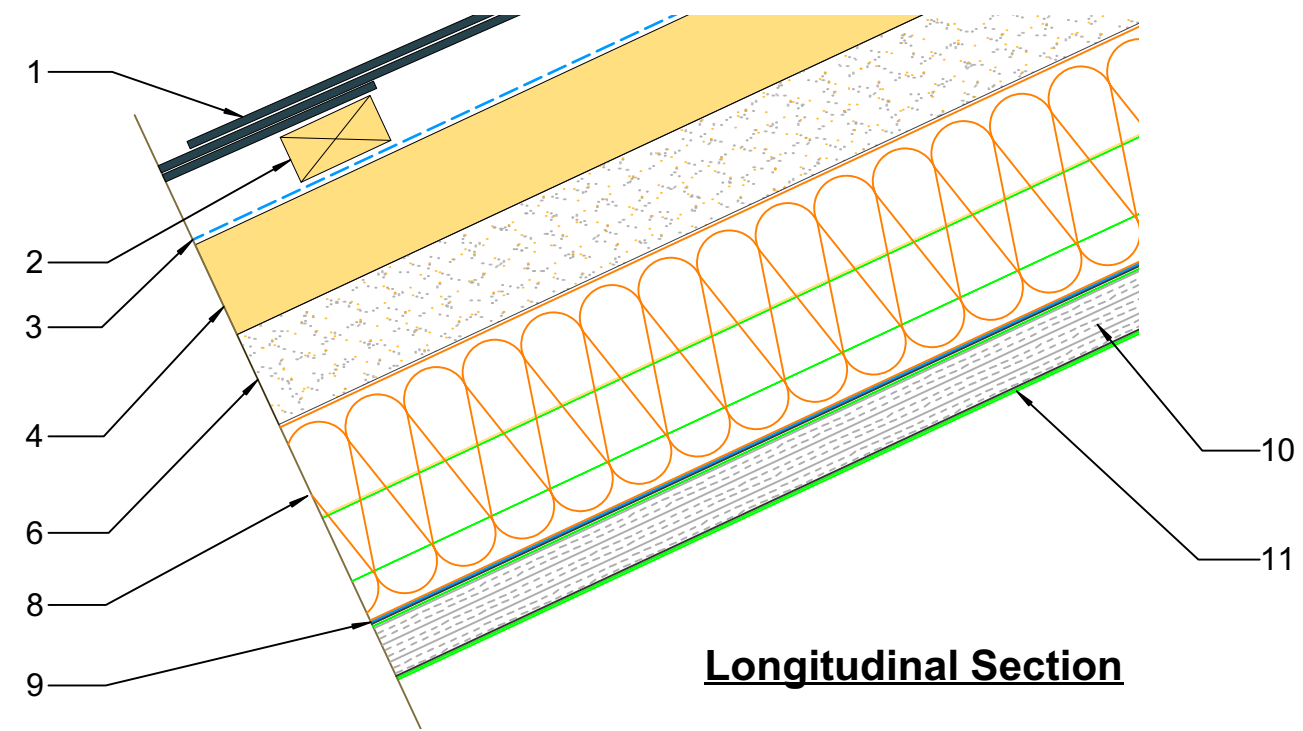
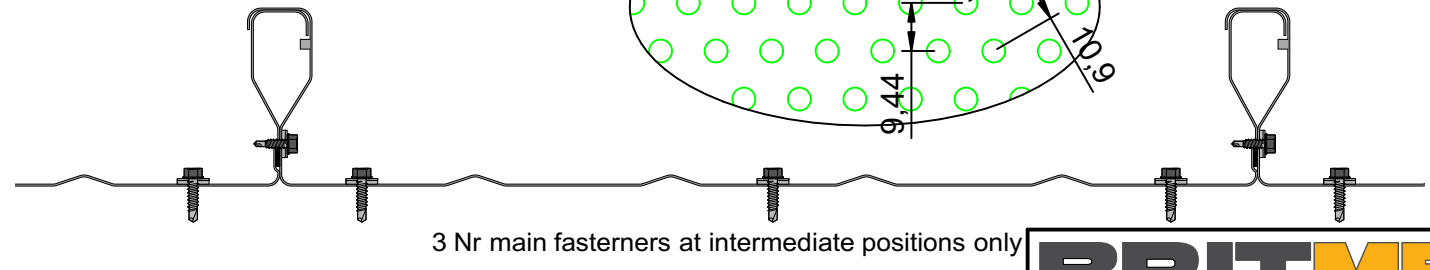
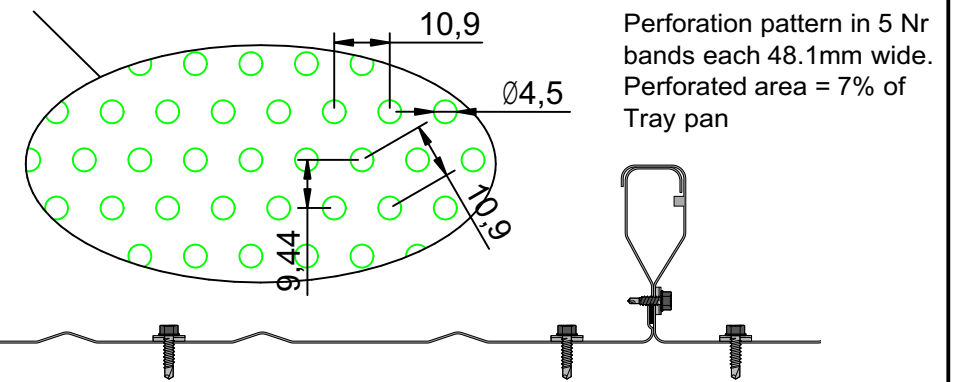
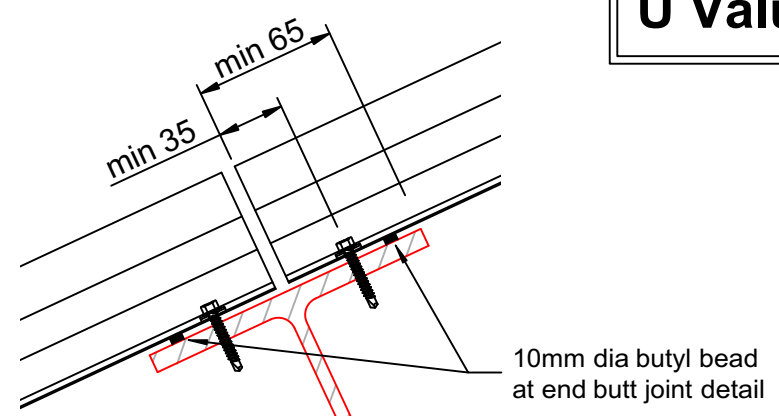


1. Non air permeable roof finish such as synthetic slates or profiled metal sheets.
2. Slate / tile battens.
3. Breather membrane < 0.25 MNs/g.
4. 50 x 50mm Secondary counterbatten fixed at 600mm cr/s.
5. 50mm Air gap.
6. 50mm thk tissue faced PIR boards.
7. 50 x 50mm Counterbatten fixed at 600mm cr/s.
8. 120mm thk insulation (compressed to 110mm). Lambda 0.037 W/mK.
9. VCL.
10. 30mm RW3 (black tissue faced).
11. Perforated TacTray 90 - 1.00mm gauge.
12. Side flange stitcher screws @ 600mm cr/s.
13. Main fasteners.



**U Value 0.16 W/m<sup>2</sup>K**



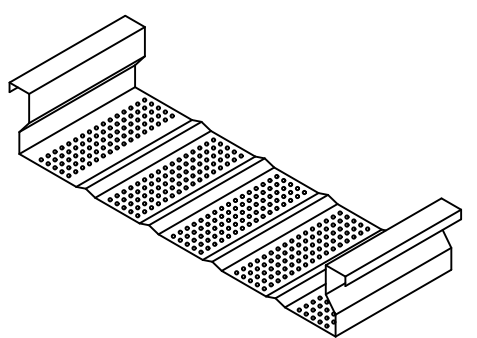
**Predicted Acoustic Performance**

Attenuation:- Rw = 37 dB

Absorption:-

Hz	a
63	0.36
125	0.49
250	0.57
500	0.57
1k	0.63
2k	0.63
4k	0.63

All values derived from acoustic performance modeling software. Physical test performance data are recommended if definitive values are required



**BRITMET**  
LIGHTWEIGHT ROOFING  
**TacTray 90**

Britmet Lightweight Roofing  
Kingfisher House  
Unit 17  
Overthorpe Road  
Banbury  
OX16 4SX

Tel: 01295 250998  
Fax: 01295 271068  
email sales@britmet.co.uk  
www.britmet.co.uk

Drawn	Date	Scale
BTD	11/12/19	Do Not Scale

Revisions

--	--	--

**Title**  
Britmet Lightweight Roofing  
TacTray 90 - Acoustic Construction Details for Non Air Permeable Roof Finishes.  
**U Value 0.16 W/m<sup>2</sup>K.**

**DRG No.**  
**TF/TT90/203**